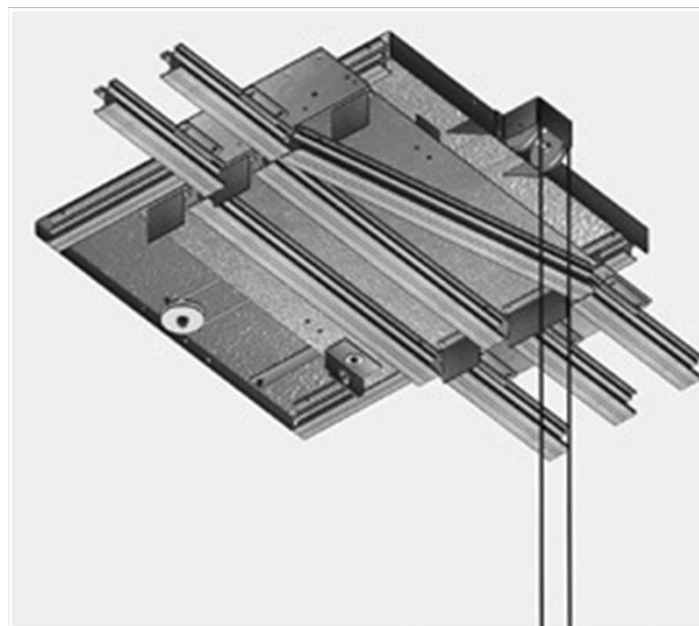


SWITCH 3/2 RAIL 50



FF FF3756

Principales caractéristiques

SWITCH 3/2 RAIL 50. (Ref : FF FF3756)

Switch 3/2 rail 50

Switch for double cyclorama Rail Type 50 system. To connect parking rails or feeding rails to the main curtain rail system. Closed loop curtain systems require switches for inserting or removing curtains for maintenance.

