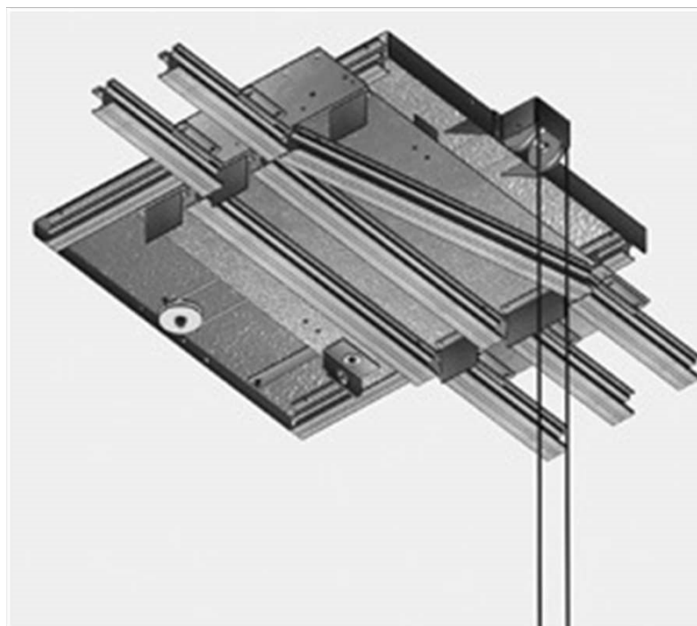


## SWITCH 3/2 RAIL 50 SX



FF FF3756SX

### Principales caractéristiques

SWITCH 3/2 RAIL 50 SX. (Ref : FF FF3756SX)

Switch 3/2 rail 50

Switch for double cyclorama Rail Type 50 system. To connect parking rails or feeding rails to the main curtain rail system. Closed loop curtain systems require switches for inserting or removing curtains for maintenance.

