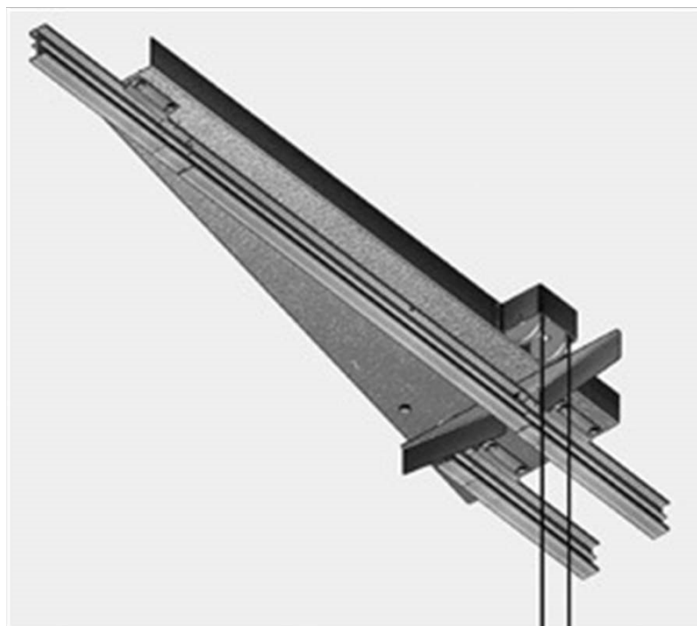


SWITCH 2/1 RAIL 60 DX



FF FF3767

Principales caractéristiques

SWITCH 2/1 RAIL 60 DX. (Ref : FF FF3767)

Switch 1/2 rail 60 DX

Switch for single cyclorama Rail Type 60 to connect parking rails or feeding rails to the main curtain rail. Closed loop curtain systems require switches for inserting or removing curtains for maintenance. (To order the left version use code FF3767SX).

