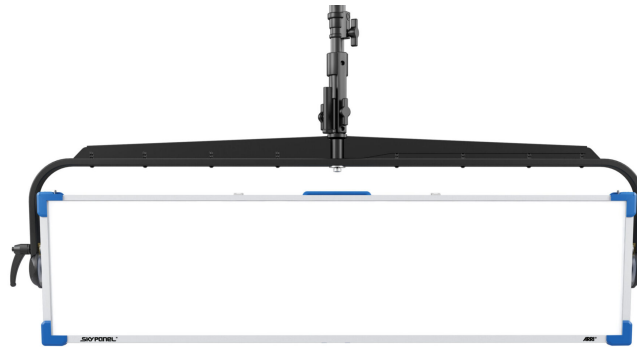


SkyPanel S120C. Lyre man. Bleu Argent.



AR L0.0012954

Principales caractéristiques

SkyPanel. S120C. Lyre manuelle. Couleur Bleu Argent. Cable alim Schuko. (Réf : AR L0.0012954)

SkyPanel is a compact, ultra-bright and high-quality LED soft light that sets a new standard for the industry. With a design focused on form, color, beam field and output, SkyPanel represents the culmination of more than a decade of research and development of LED technology at ARRI.

SkyPanel is available in several sizes: the S30, S60, S120, and S360. The S60 is a mid-range model, featuring a light aperture of 645 x 300 mm and accommodating the vast majority of applications. The S120 is twice as long as the S60, but weighs nearly the same. Its larger light aperture makes a great soft light even better. The S30 is a smaller, more portable version; half the length of the S60, it is perfect for on-the-go mobile applications. The S360 is the largest and brightest SkyPanel with four times the output of the S60 and almost six times the aperture size.

The S360 is perfect for lighting large areas with tuneable, soft light. S30 and S60 models are available in fully color tuneable and remote phosphor versions.

Incorporating features of ARRI's successful L-Series LED Fresnels, SkyPanel is one of the most versatile soft lights on the market, as well as one of the brightest. Like the L-



Series, SkyPanel 'C' (Color) versions are fully tuneable; correlated color temperature is adjustable between 2,800 K and 10,000 K, with excellent color rendition over the entire range. Full plus and minus green correction can be achieved with the simple turn of a knob, and in addition to CCT control, vivid color selection and saturation adjustment is also possible.

Unlike other tuneable fixtures, SkyPanel makes no sacrifice when it comes to light output. SkyPanel puts out a tremendous amount of light, in a soft and uniform beam field. The S360-C is twice as bright as a 4 kW tungsten soft light or three times as bright as a 12 kW tungsten space light. At the same time, the lamphead is able to perform beautifully at lower light levels. This range of illumination and color gives users an unprecedented amount of control.

Achieving an energy efficiency of over 80 lumens per watt, the S360-C is also one of the most eco-friendly LED soft lights available while also being one of the brightest. Made in Germany to the high standards for which all ARRI products are known, SkyPanel is built to last - constructed from resilient materials and assembled by hand with great care. Other features include LAN port for network connectivity, USB-A port for firmware updates via thumb drive, and many more.

Spécifications techniques**Valeur de la spécification**

Capteur LED

RGBW

Puissance

400W

Plage CCT

2 800 K - 10 000 K

TLCI

> 90

IRC

> 95

DMX

Art-Net, DMX512, sACN

Indice IP

20

Poids

16.5 kg

