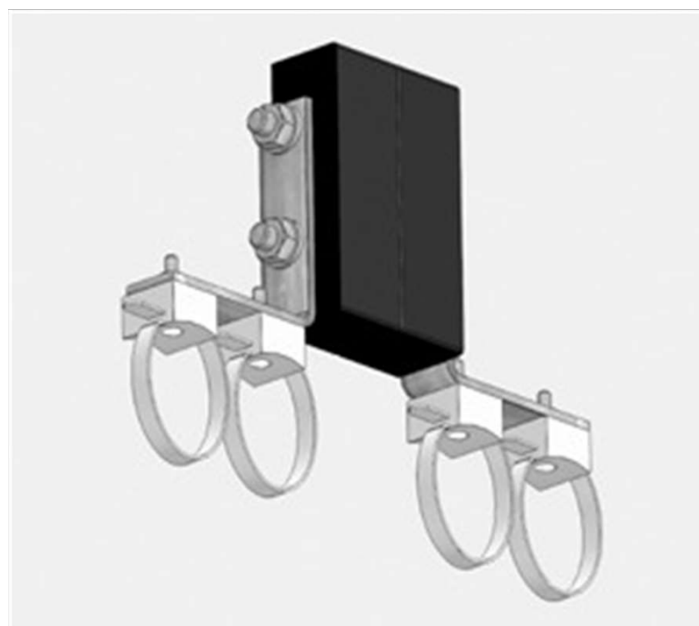


END STOP W/CABLE TIES F/RAIL H80



FF FF3664

Principales caractéristiques

END STOP W/CABLE TIES F/RAIL H80. (Ref : FF FF3664)

End stop with 4 cable ties

End stop for trailing cable system. Mount in the holes at the end of the rail to prevent carriages leaving the rail and for strain relief of the power cable.

