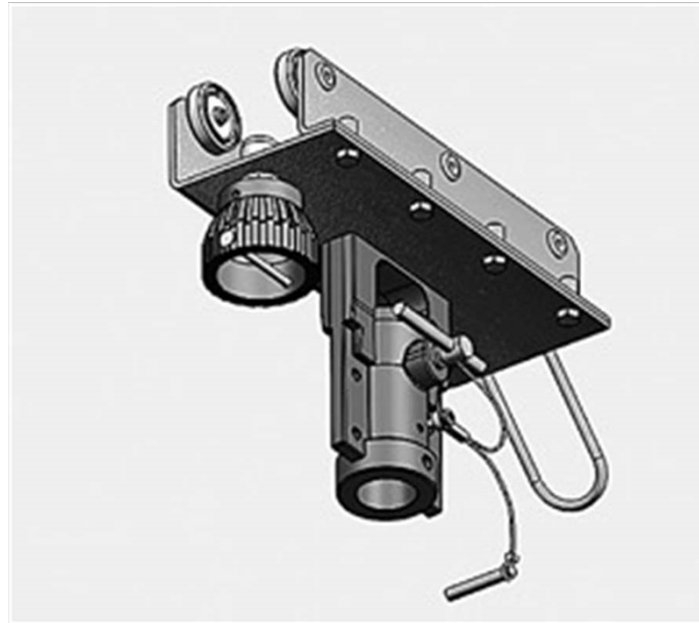


DSMNT.CARRIAGE FOR IPE 100



FF FF3710S

Principales caractéristiques

DSMNT.CARRIAGE FOR IPE 100. (Ref : FF FF3710S)

Detachable carriage with twist lock and 1-1/8" female attachment

One side of the carriage can be removed to attach or detach the carriage to/from the IPE 100. Rail carriage with 1-1/8" female attachment. Twist lock holds carriage in position. Use operating pole to open or release the twist lock.

