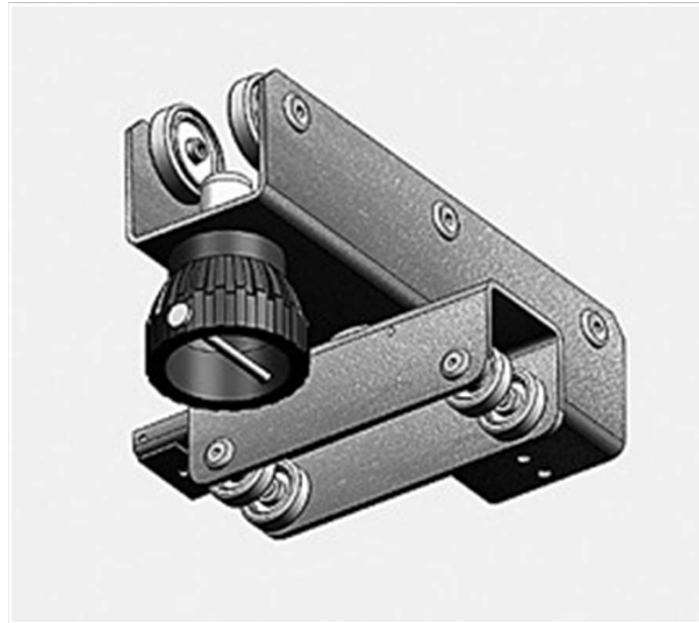


DOUBLE CARRIAGE RAIL TYPE60-80



FF FF3713

Principales caractéristiques

DOUBLE CARRIAGE RAIL TYPE60-80. (Ref : FF FF3713)

Double carriage Rail 80 to Rail 60

Double carriage used to connect moving Rail 60 to a fixed Rail 80; upper carriage with 6 bearing

