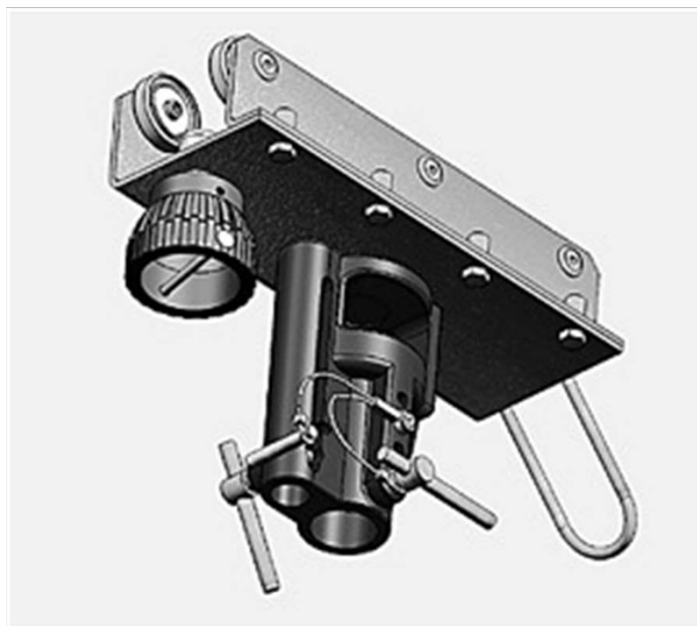


DETACHABLE CAR 1-1/8"-5/8" I100



FF FF3707S

Principales caractéristiques

DETACHABLE CAR 1-1/8"-5/8" I100. (Ref : FF FF3707S)

Detachable carriage with twist lock and universal head

One side of the carriage can be removed to attach or detach the carriage to/from the IPE100 beam. Universal head with 1-1/8" and 5/8" female and 5/8" male attachment.

