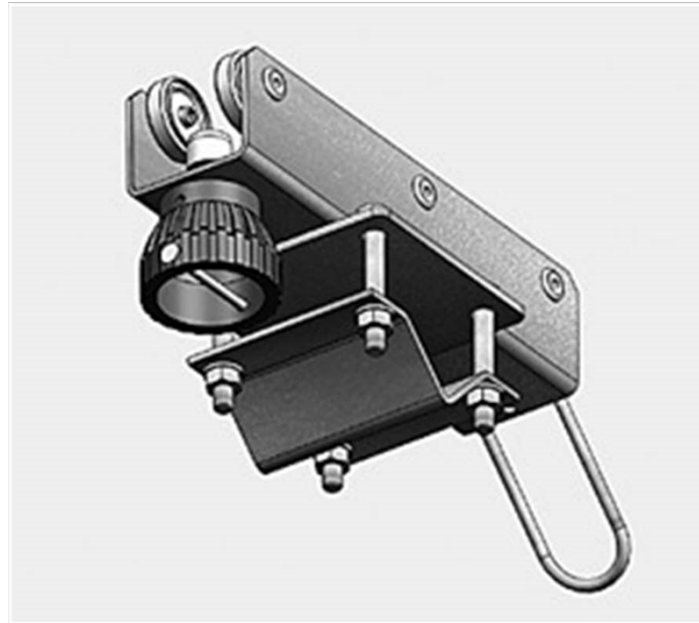


CARRIAGE F/ PIPE/RAIL CROSSING



FF FF3706

Principales caractéristiques

CARRIAGE F/ PIPE/RAIL CROSSING. (Ref : FF FF3706)

Carriage for cross pipes

Carriage with clamp for pipes up to 52 mm (2") diameter; with 6 bearing wheels and twist lock.

